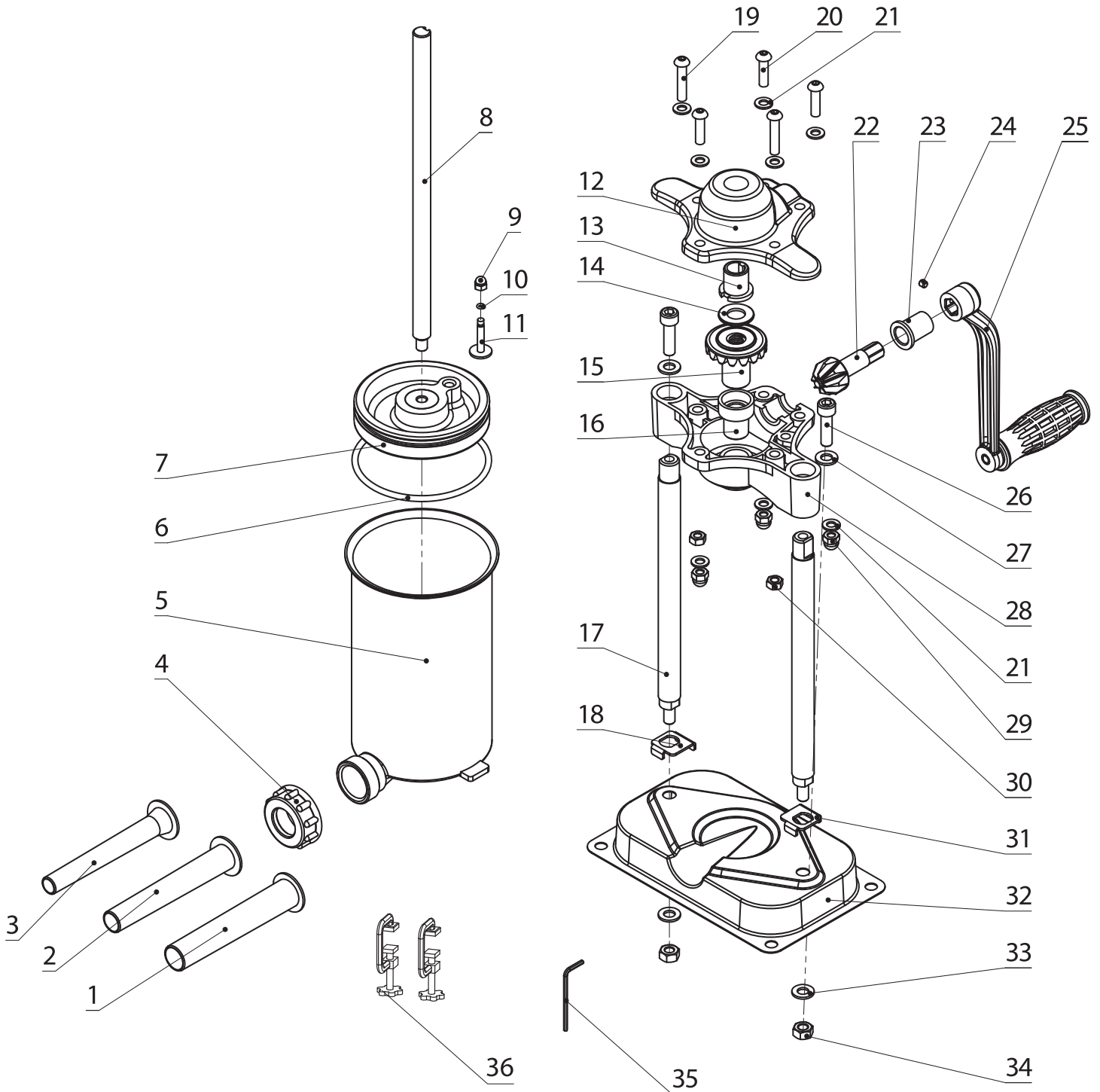


# Parts Breakdown

Item 44205



# Parts Breakdown

## Item 44205

Item No.	Description	Position	Item No.	Description	Position	Item No.	Description	Position
AH412	Stuffing Tube Set for 44205	1 - 3	AH423	Plastic Positioning Bushing for 44205	16	AH434	Plain Base Washer for 44205	27
AH413	Retaining Ring for 44205	4	AH424	Vertical Shaft for 44205	17	AH435	Lower Cover for 44205	28
AH414	Cylinder for 44205	5	AH425	Left Stop Plate for 44205	18	AH436	Acorn Nut M8 for 44205	29
AH415	Piston Gasket for 44205	6	AH426	Long Hexagon Socket Button Head Screw M8x40 for 44205	19	AH437	Hexagon Nut M8 for 44205	30
AH416	Piston for 44205	7	AH427	Hexagon Socket Button Head Screw M8x30 for 44205	20	AH438	Right Stop for 44205	31
AH417	Threaded Rod for 44205	8	AH428	Plain Washer for 44205	21	AH439	Base for 44205	32
AH418	Acorn Nut M6, O Ring for Air Release, Air Release Valve for 44205	9 - 11	AH429	Horizontal Metal Gear for 44205	22	AH440	Base Washer 27mm M10 for 44205	33
AH419	Upper Cover for 44205	12	AH430	Horizontal Gear Bushing for 44205	23	AH441	Base Hexagon Nut M10 for 44205	34
AH420	Metal Fixing Bushing for 44205	13	AH431	Hexagon Socket Set Screw with Flat Point M6x6 for 44205	24	AH442	L-Hexagon Wrench for 44205	35
AH421	Washer for Vertical Gear for 44205	14	AH432	Handle Set for 44205	25	AH443	Clamps for 44205	36
AH422	Vertical Metal Gear for 44205	15	AH433	Hexagon Socket Head Cap Screw M10x35 for 44205	26			